



- POLARIS B: Evaporator only**
- POLARIS R: Heating only**
- POLARIS Combi: Evaporator and Heating**

The POLARIS ceiling units are placed between the roof and the ceiling of the cabin.

The ABS ceiling unit is made of:

- 4 swivelling louvers that can be closed off
- 1 ceiling light
- 1 blowing speed selector switch
- 1 thermostat control switch
- 1 dust filter access hatch; the filter is common to both outside and recycled air
- 2 recycled air inlet vents

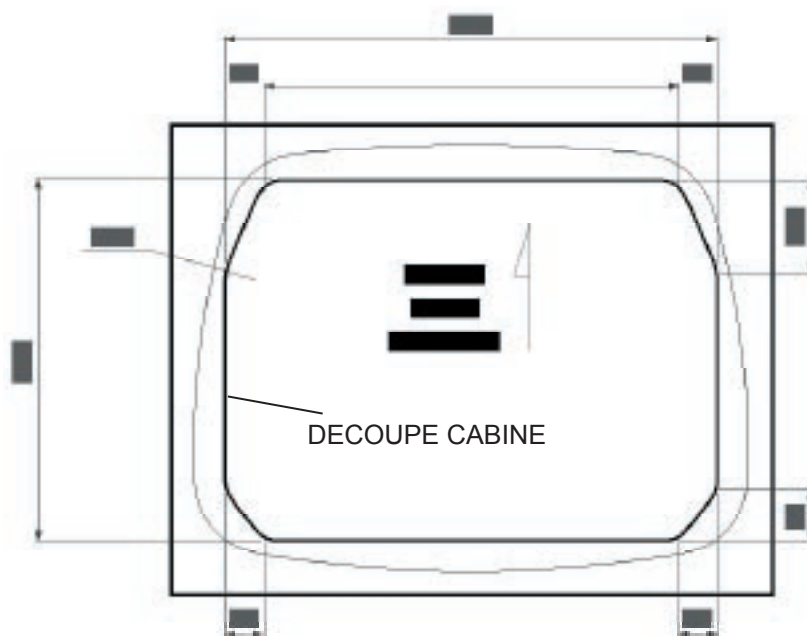
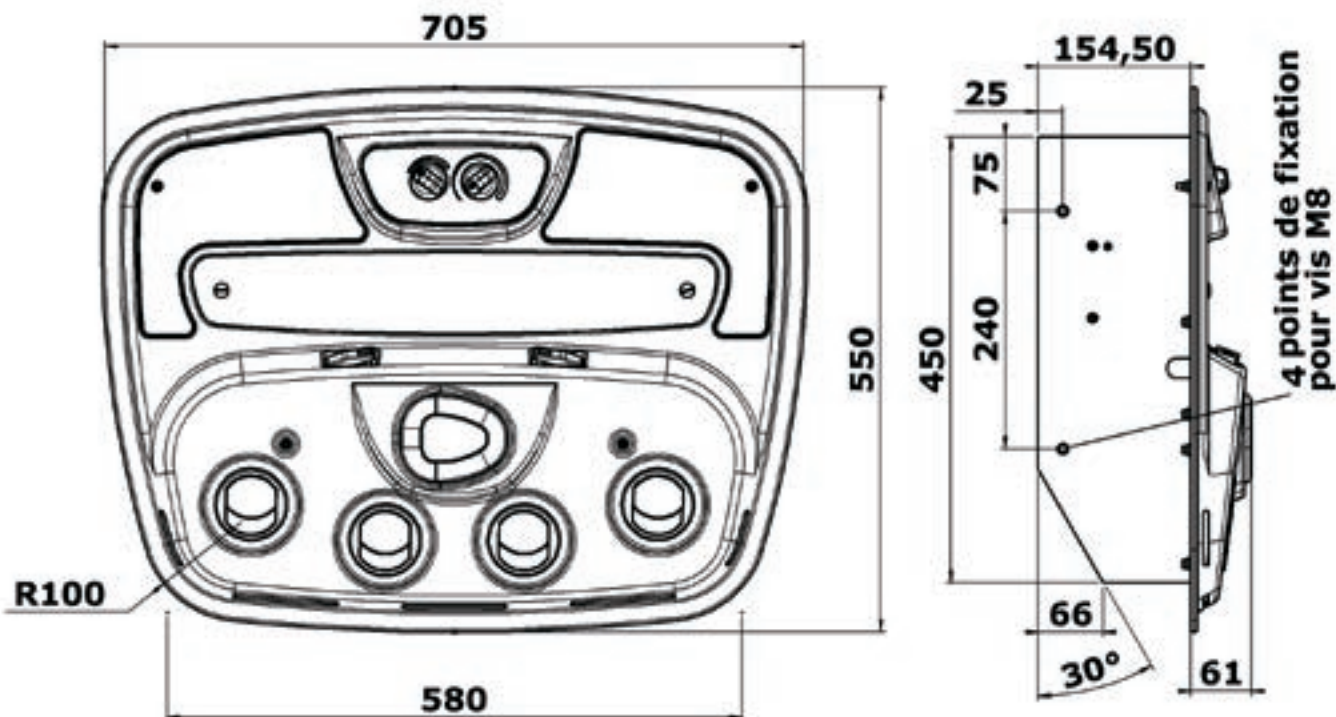


TECHNICAL SPECIFICATIONS

| | POLARIS B | POLARIS Combi | POLARIS R |
|---------------------------|------------------------------|------------------------------|-----------------------|
| A/C Performance | 4,6 KW IMACA Standard 200 | 4,6 KW IMACA Standard 200 | |
| Heater performance | | 7,5 KW | 7,5 KW |
| Maximum air flow | 400 m ³ /h | 400 m ³ /h | 400 m ³ /h |
| Electric power | 138 W | 138 W | 138 W |
| Weight | 18 Kg | 20 Kg | 17 Kg |
| Dust filtration | | EU4-G4 | |



FOOTPRINT



PART NUMBERS

| | Références | | |
|-----|------------|---------------|-----------|
| | POLARIS B | POLARIS Combi | POLARIS R |
| 12V | 350B46 | 350B48 | 360A44 |
| 24V | 350B47 | 350B49 | 360A45 |