



The BORA evaporator range provides maximum power in a compact format.

All versions of the BORA are fitted with dust filtration and a control panel including the following functions:

BORA 6 and BORA 7:

- Three-speed fan selector
- Mechanical control for the air conditioning thermostat.

BORA 6 Combi and BORA 7 Combi:

- Three-speed fan selector
- Mechanical control of the air conditioning thermostat.
- Mechanical control of the heating valve

Air distribution takes place through closable and multi-directional louvers.

The BORA are available in black or white.

Wall evaporator BORA 6



Between seat evaporator heater BORA 7 Combi





TECHNICAL SPECIFICATIONS

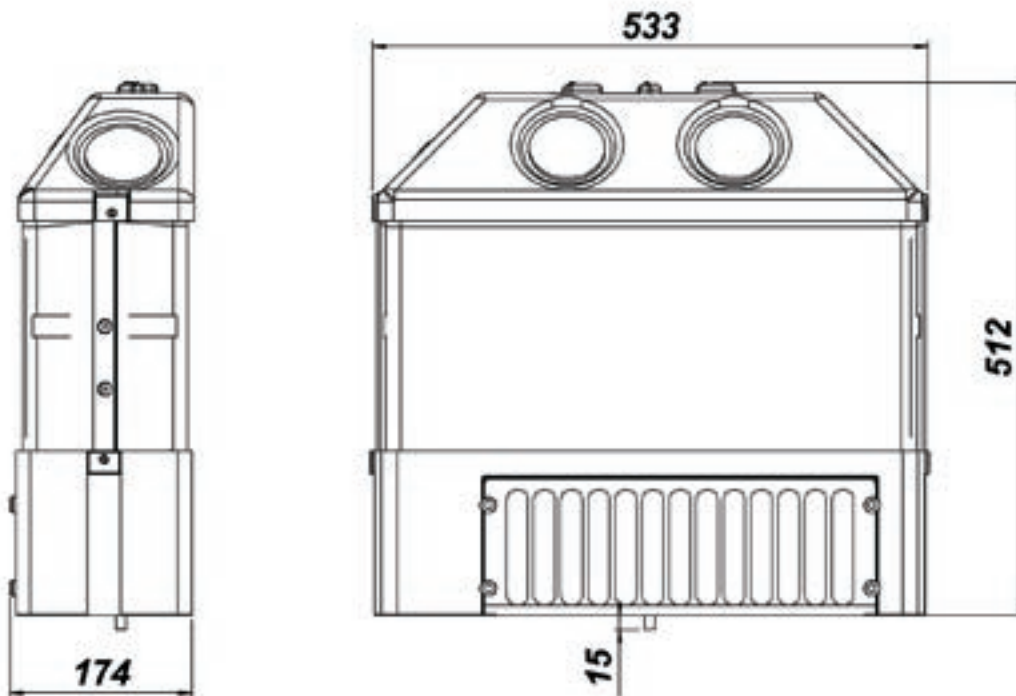
BORA	6	7	6 Combi	7 Combi
A/C performance	4,5 KW IMACA Standard 200	4,5 KW IMACA Standard 200	4 KW IMACA Standard 200	4 KW IMACA Standard 200
Heating Performance			7,7 KW	7,7 KW
Maximum air flow	600 m ³ /h	600 m ³ /h	600 m ³ /h	600 m ³ /h
Electrical power	210 W	210 W	210 W	210 W
Weight	10,5 Kg	10,5 Kg	10,5 Kg	10,5 Kg
Dust filtration	EU5-G5	EU5-G5	EU5-G5	EU5-G5

BORA 6 : Wall evaporator

BORA 7 : Between seat evaporator

BORA 6 Combi : Wall evaporator heater

BORA 7 Combi : Between seat evaporator heater



PART NUMBERS

P/N				Voltage		Color	
BORA 6	BORA 7	BORA 6 Combi	BORA 7 Combi	12V	24V	Black	White
350A17	350A82	350A11	350A62	•			•
350A33	350A86	350A28	350A66	•		•	
350A24	350A83	350A19	350A63		•		•
350A40	350A87	350A35	350A67		•	•	



The BORA evaporator range provides maximum power in a compact format.

All versions of the BORA are fitted with dust filtration and a control panel including the following functions:

BORA 8 and BORA 9:

- Three-speed fan selector
- Mechanical control for the air conditioning thermostat.

BORA 8 Combi and BORA 9 Combi:

- Three-speed fan selector
- Mechanical control of the air conditioning thermostat.
- Mechanical control of the heating valve

Air distribution takes place through closable and multi-directional louvers.

The BORA are available in black or white.

Different options are available for fastening and air distribution (see following page).

Ceiling evaporator BORA 9



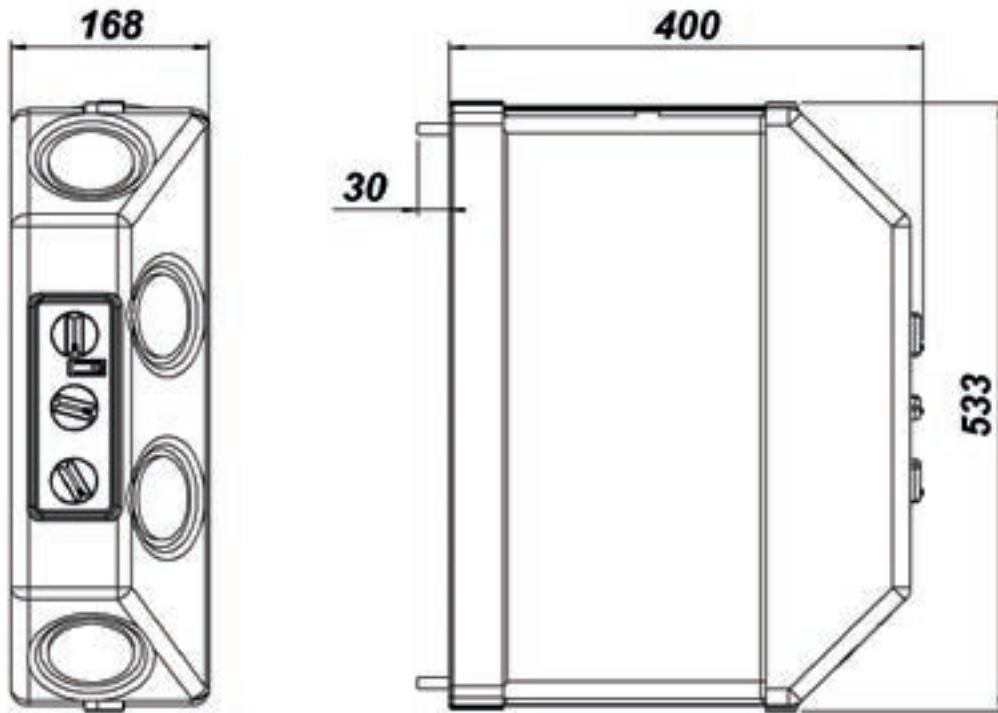
Floor evaporator heater 8 Combi





TECHNICAL SPECIFICATIONS				
BORA	8	9	8 Combi	9 Combi
A/C performance	4,5 KW IMACA Standard 200	4,5 KW IMACA Standard 200	4 KW IMACA Standard 200	4 KW IMACA Standard 200
Heating Performance			7,7 KW	7,7 KW
Maximum air flow	600 m³/h	600 m³/h	600 m³/h	600 m³/h
Electrical power	210 W	210 W	210 W	210 W
Weight	10,5 Kg	10,5 Kg	10,5 Kg	10,5 Kg
Dust filtration	EU5-G5	EU5-G5	EU5-G5	EU5-G5

- BORA 8 :** Floor evaporator
- BORA 9 :** Ceiling evaporator
- BORA 8 Combi :** Floor evaporator heater
- BORA 9 Combi :** Ceiling evaporator heater



PART NUMBERS

P/N				Voltage		Color	
BORA 8	BORA 9	BORA 8 Combi	BORA 9 Combi	12V	24V	Black	White
350A90	350A16	350A70	350A10	•			•
350A96	350A32	350A76	350A27	•		•	
350A91	350A23	350A71	350A18		•		•
350A97	350A39	350A77	350A34		•	•	

REMOTE CONTROL OPTION



It is possible to distribute air with a standard BORA through 4 Ø80 mm flexible ducts (sold per meter), onto which multi-directional and closable louvers can be fastened with collars.

The remote control panel is connected to the side of the unit by a cable and electrical harness.

The cable length must not exceed 1 m.

This option is only available on request.

OPTINAL BRACKET

The BORA evaporator can be wall-mounted using a metallic bracket fastened on to the sides of the unit.

This bracket is available in white or black.



P/N	Options				
	White bracket	Black bracket	Ø 80 Sheath	Louvers	Clamp
530A90	•				
530A89		•			
540A87			•		
540B17				•	
230A17					•