

Compact rooftop air conditioner AUTAN 5 & AUTAN Combi



The AUTAN 5 (Air conditioning only) and AUTAN Combi (Air conditioning and heating) compact air conditioners are easily adapted on all types of roofs of cabs in which the inside space is insufficient to contain integrated equipment.

Condenser, evaporator, filter drier, pressure switches and control devices are all contained in the one unit. This unit to be connected to a compressor through 2 hoses.

The AUTAN 5 and AUTAN Combi are white or black and is available in 12 or 24 V models with horizontal cooling connections (hoses passing outside the cab) or vertical (hoses passing inside the cab).

The ceiling panel is fitted with:

- 1 three-speed fan selector
- 1 mechanical thermostat control selector
- 1 air conditioning on/off switch
- 6 closable and multi-directional louvers
- 1 air intake and air filter access grid



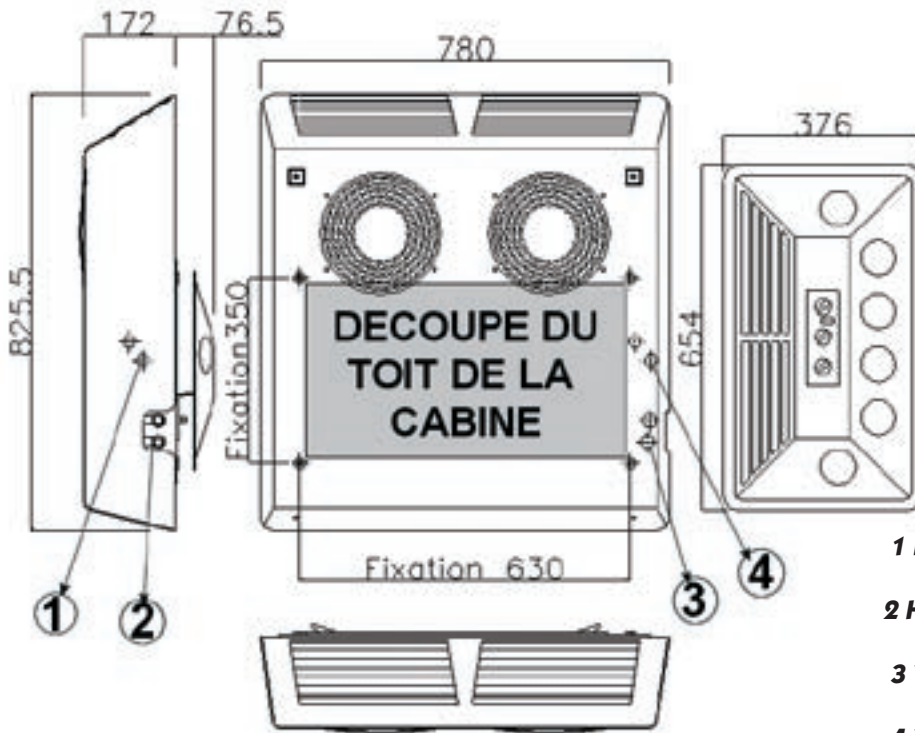
Ceiling panel



AUTAN 5



AUTAN Combi



- 1 Horizontal heating system outlet
- 2 Horizontal air conditioner outlet
- 3 Vertical air conditioner outlet
- 4 Vertical heating system outlet

TECHNICAL SPECIFICATIONS

AUTAN	5	Combi
A/C performance	6,3 KW IMACA Standard 200	6,3KW IMACA Standard 200
Heating Performance		4,5 KW
Maximum air flow	980 m ³ /h	980 m ³ /h
Electrical power	430 W	430 W
Weight	31 Kg	31 Kg
Outside air	10 %	10 %
Air filtration	Dust and active carbon EU5-F5	
Compressor to be used	Sanden SD 7H15 / 5H14	

PART NUMBERS

P/N		Voltage		Colour		Outlets	
AUTAN 5	AUTAN Combi	12 V	24V	White	Black	Vertical	Horizontal
320A02	320A26	•		•		•	
320A04	320A32		•	•		•	
320A06	320A30	•			•	•	
320A08	320A34		•		•	•	
320A01	320A29	•		•			•
320A03	320A33		•	•			•
320A05	320A31	•			•		•
320A07	320A35		•		•		•